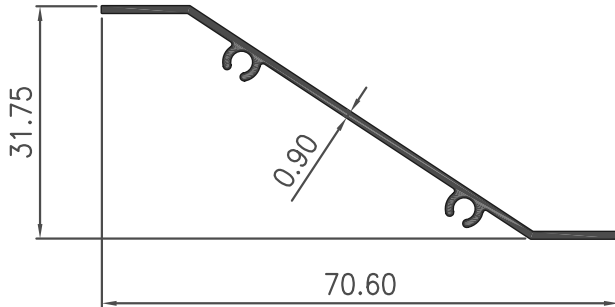


LOUVRES

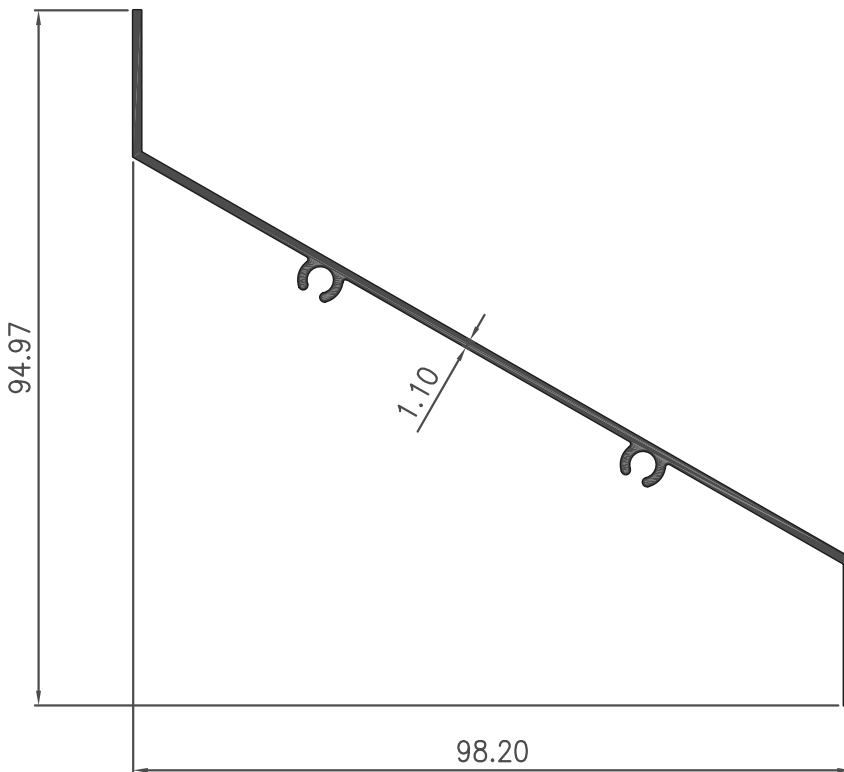
GROUP : 28



Section No : 3219

W = 0.234 KG/M

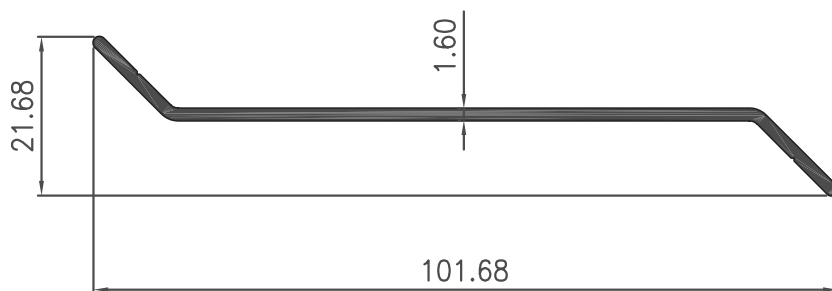
P = 187.06 MM



Section No : 3211

W = 0.509 KG/M

P = 335.79 MM



Section No : 3201

W = 0.474 KG/M

P = 221.91 MM