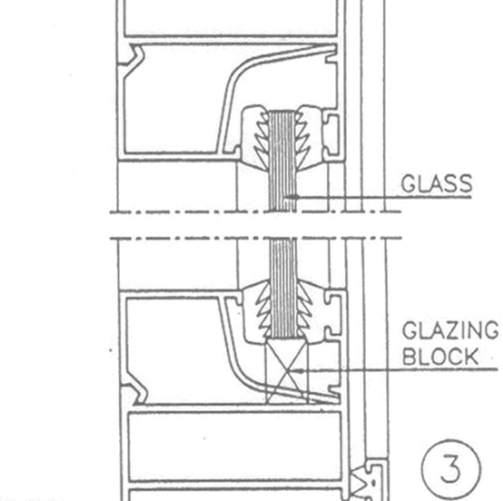
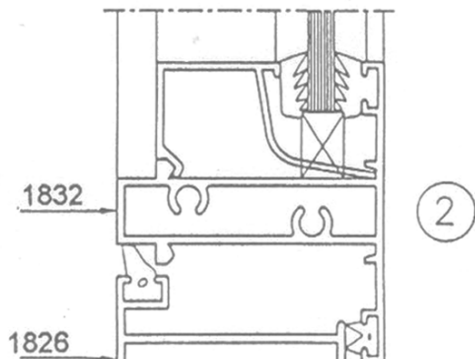
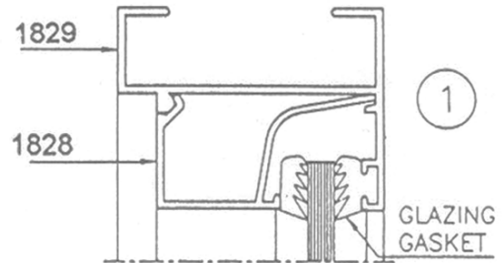
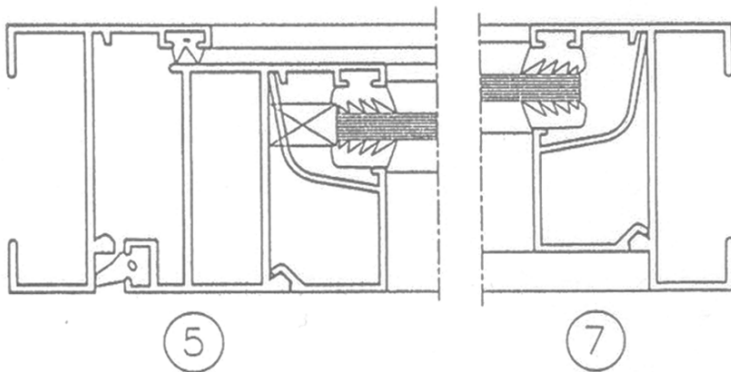
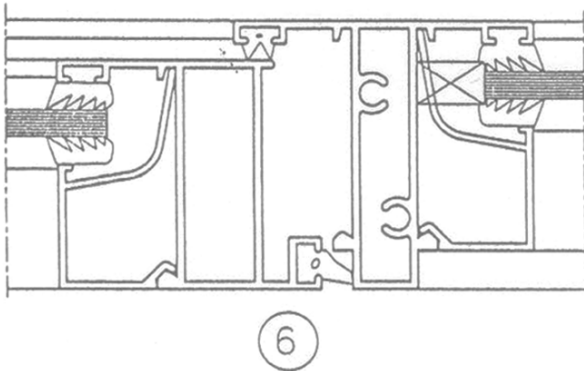
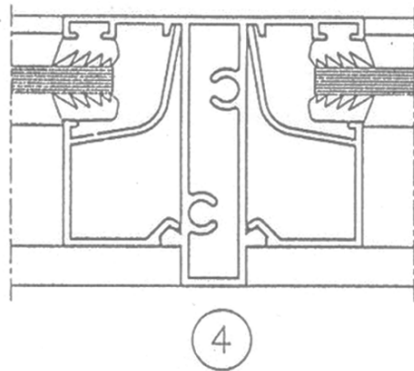
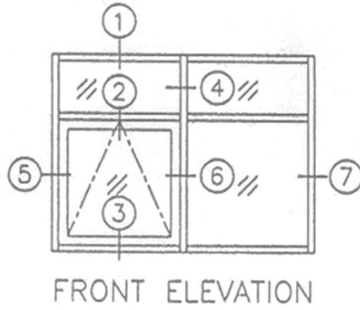
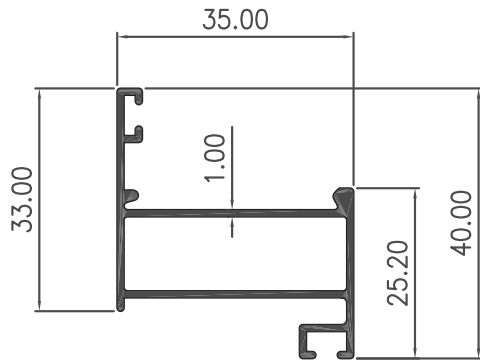


**ASSEMBLY DETAIL : CASEMENT WINDOW**



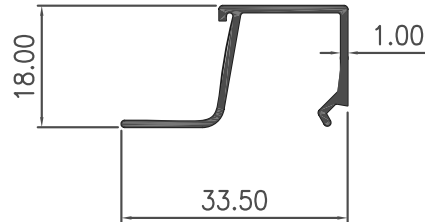
CASEMENT WINDOW

GROUP : 13.A



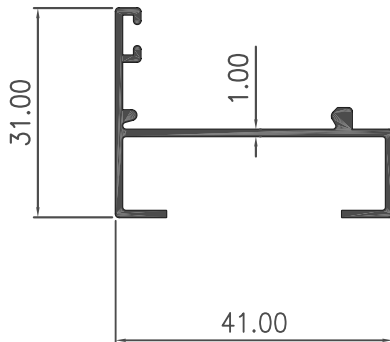
**Section No : 1826**

W = 0.418 KG/M  
P = 203.02 MM



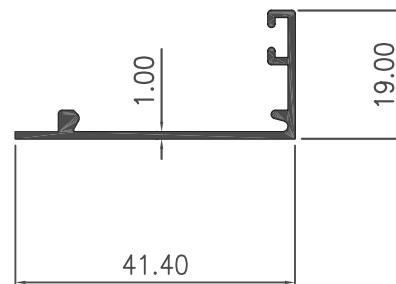
**Section No : 1828**

W = 0.191 KG/M  
P = 138.76 MM



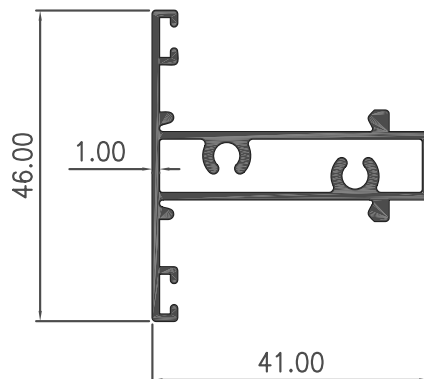
**Section No : 1829**

W = 0.313 KG/M  
P = 215.40 MM



**Section No : 8130**

W = 0.216 KG/M  
P = 147.34 MM

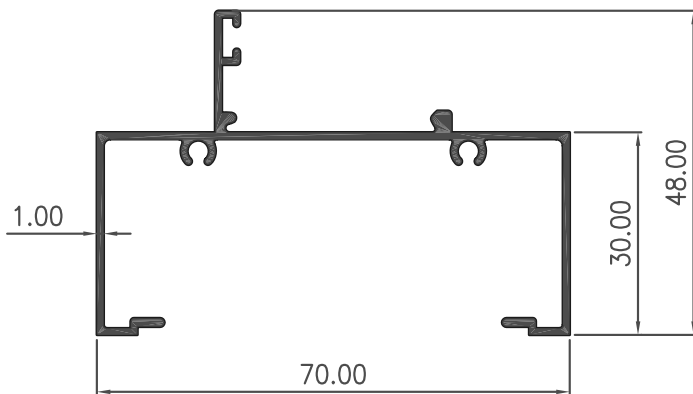


**Section No : 1832**

W = 0.569 KG/M  
P = 221.57 MM

CASEMENT WINDOW

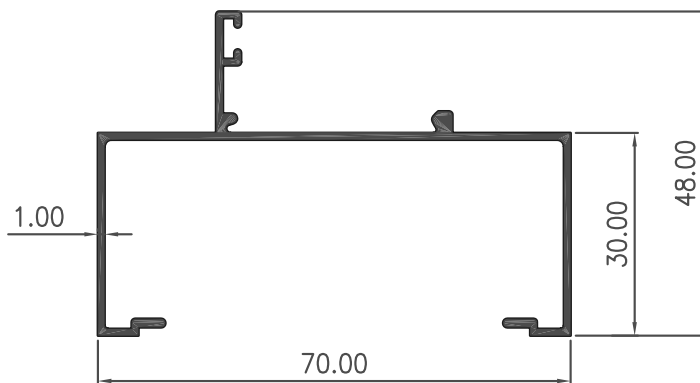
GROUP : 13.B



Section No : 1847

W = 0.562 KG/M

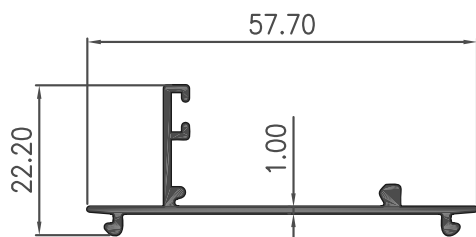
P = 383.21 MM



Section No : 1846

W = 0.514 KG/M

P = 356.23 MM



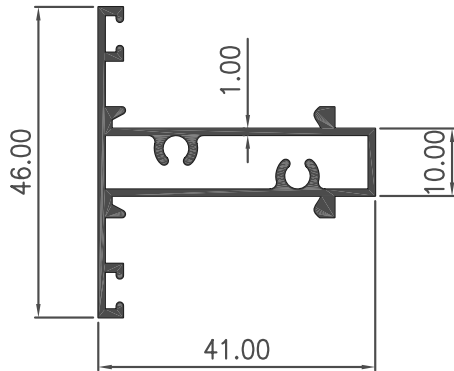
Section No : 1848

W = 0.285 KG/M

P = 189.71 MM

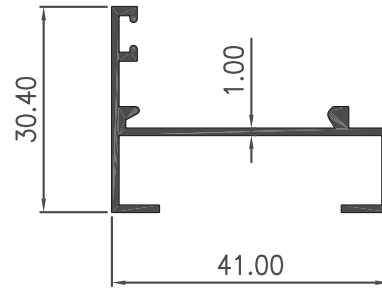
CASEMENT WINDOW

GROUP : 13.C



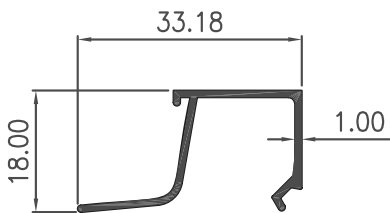
**Section No : 1852**

W = 0.553 KG/M  
P = 222.08 MM



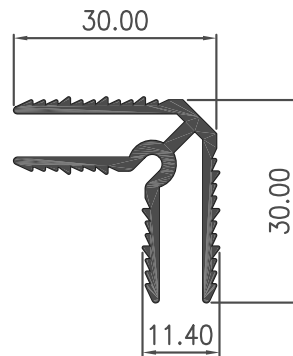
**Section No : 1851**

W = 0.315 KG/M  
P = 213.64 MM



**Section No : 1853**

W = 0.188 KG/M  
P = 137.00 MM

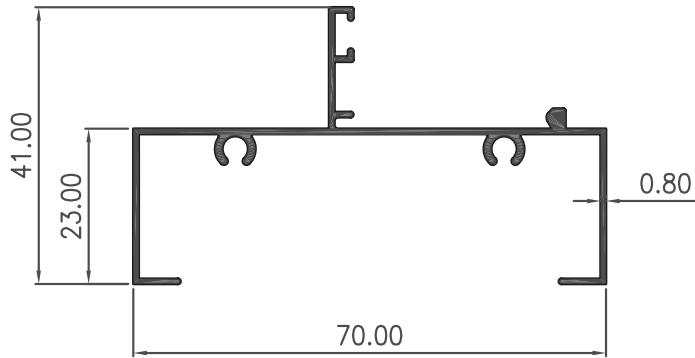


**Section No : 2699R**

W = 0.513 KG/M  
P = 249.72 MM

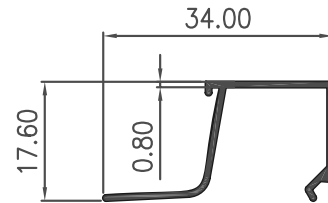
CASEMENT WINDOW

GROUP : 13.D



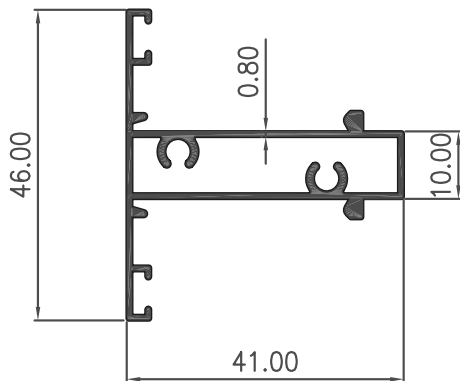
**Section No : 1854**

W = 0.420 KG/M  
P = 350.68 MM



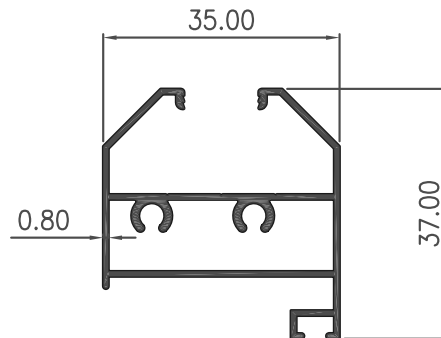
**Section No : 1855**

W = 0.153 KG/M  
P = 138.50 MM



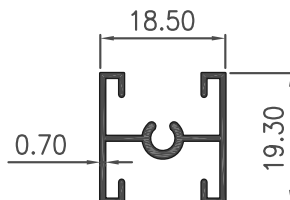
**Section No : 1857**

W = 0.443 KG/M  
P = 223.25 MM



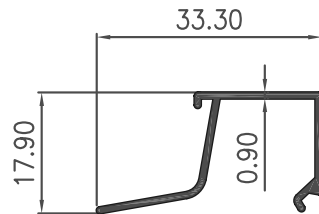
**Section No : 1858**

W = 0.422 KG/M  
P = 236.56 MM



**Section No : 1856**

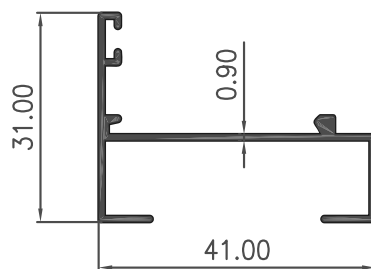
W = 0.174 KG/M  
P = 169.97 MM



**Section No : 1861**

W = 0.168 KG/M

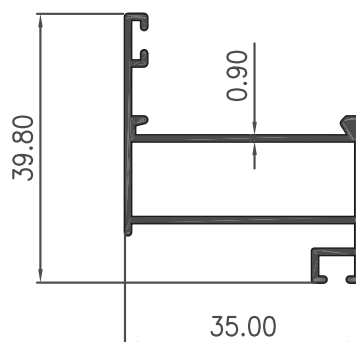
P = 136.64 MM



**Section No : 1862**

W = 0.284 KG/M

P = 218.72 MM



**Section No : 1863**

W = 0.373 KG/M

P = 200.94 MM