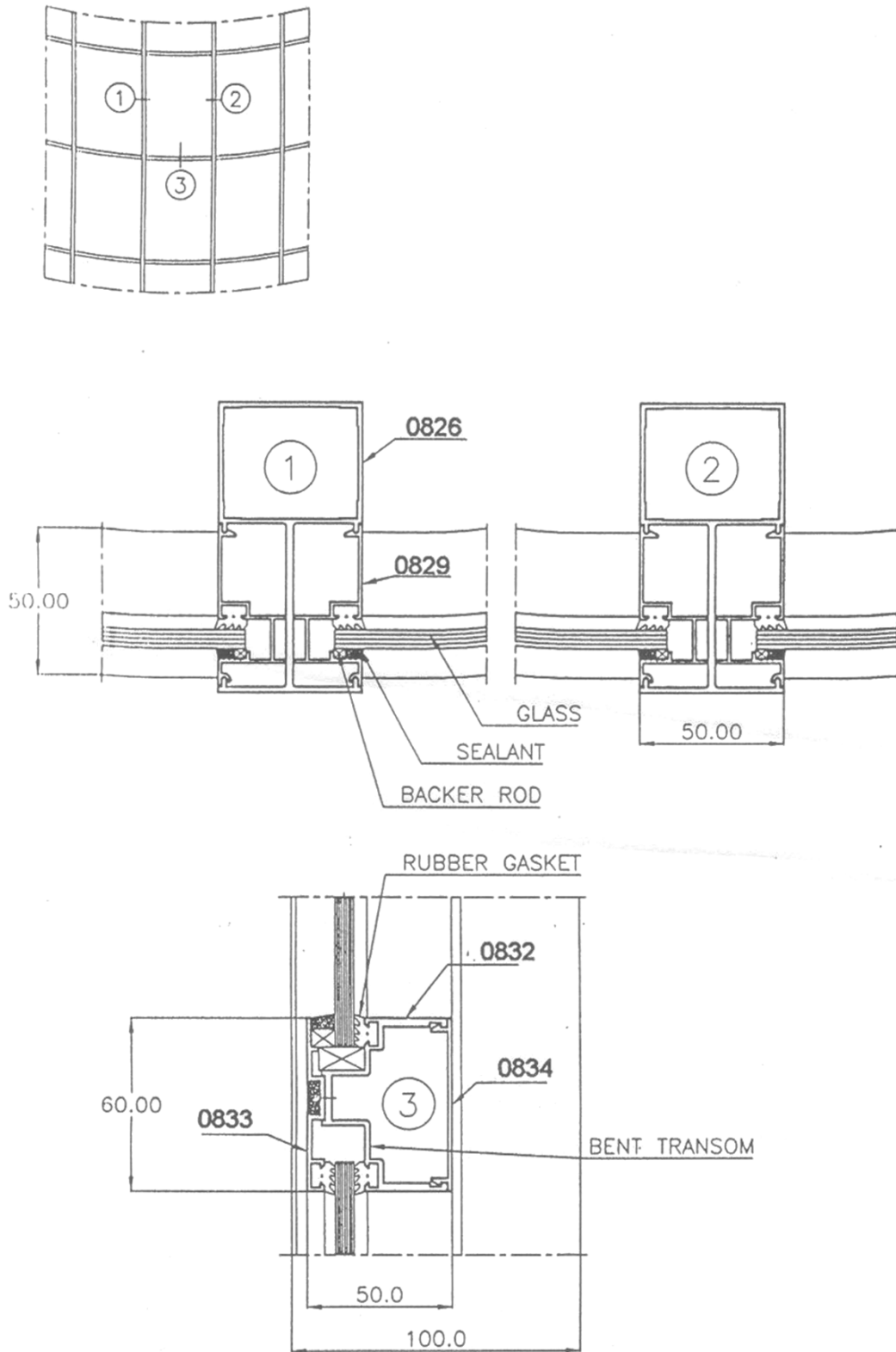
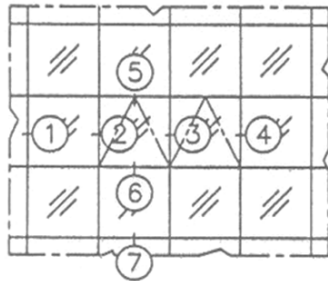


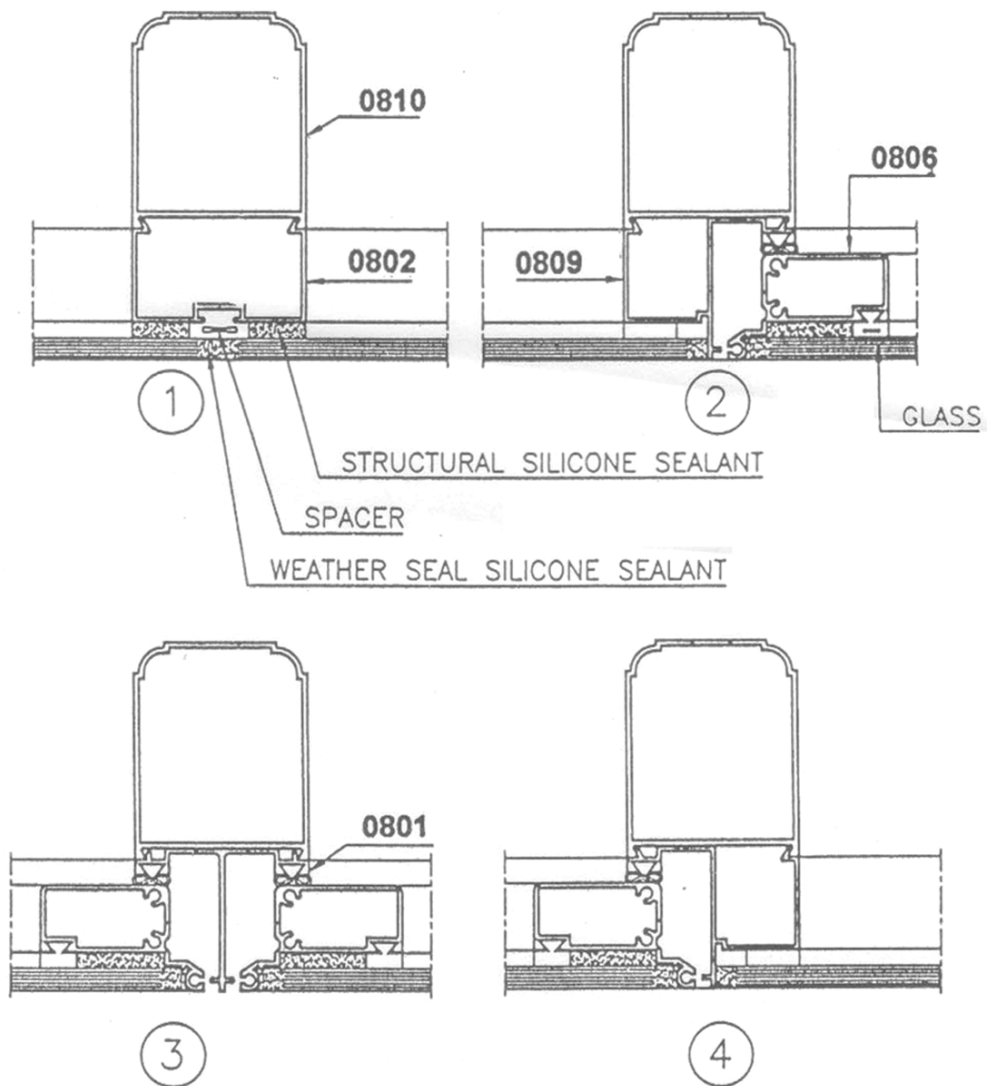
ASSEMBLY DETAIL : CURTAIN WALL



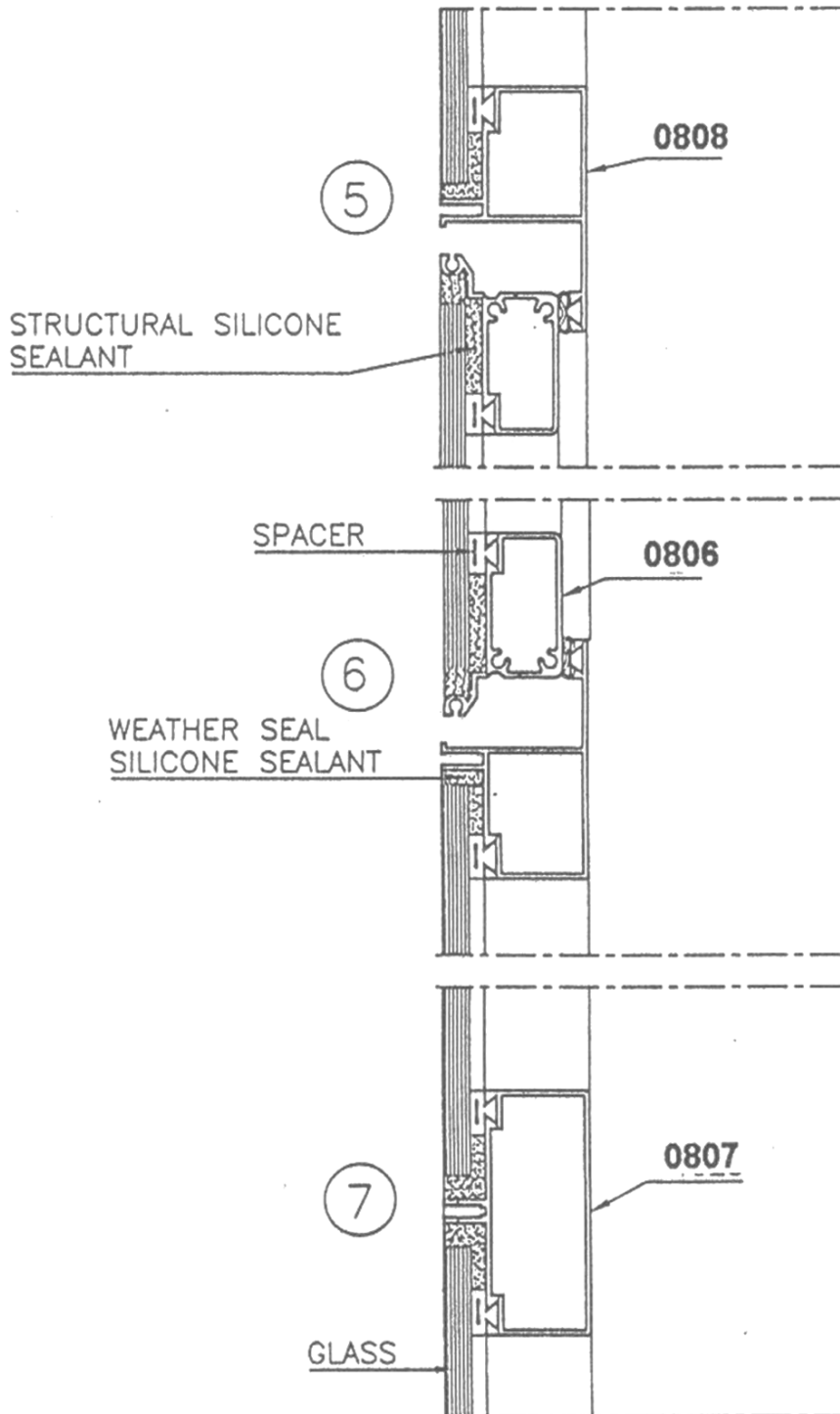
ASSEMBLY DETAIL : CURTAIN WALL

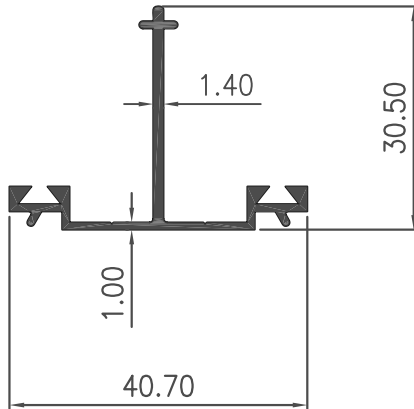


FRONT ELEVATION



ASSEMBLY DETAIL : CURTAIN WALL

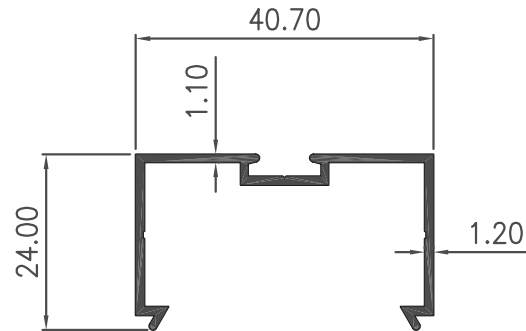




**Section No : 0801**

W = 0.310 KG/M

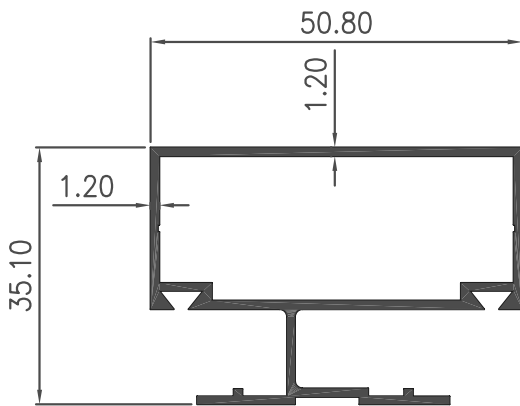
P = 195.18 MM



**Section No : 0802**

W = 0.315 KG/M

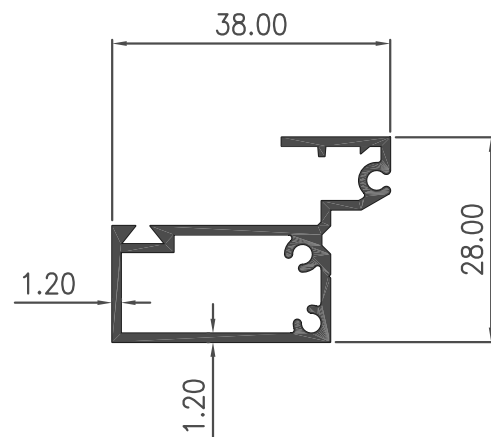
P = 205.17 MM



**Section No : 0803**

W = 0.649 KG/M

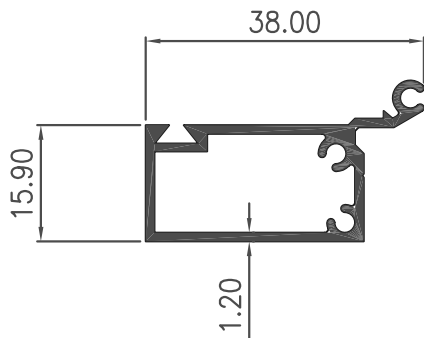
P = 264.12 MM



**Section No : 0804**

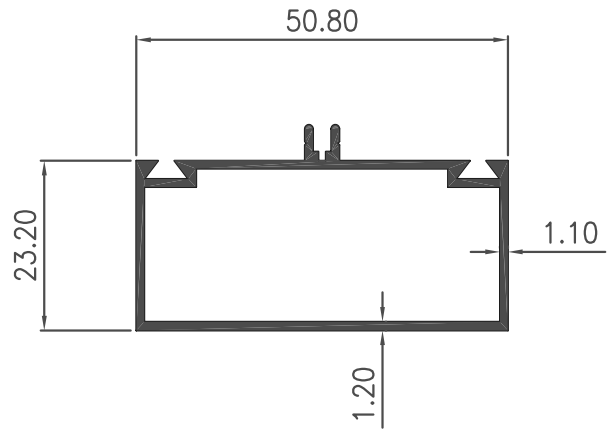
W = 0.463 KG/M

P = 178.54 MM



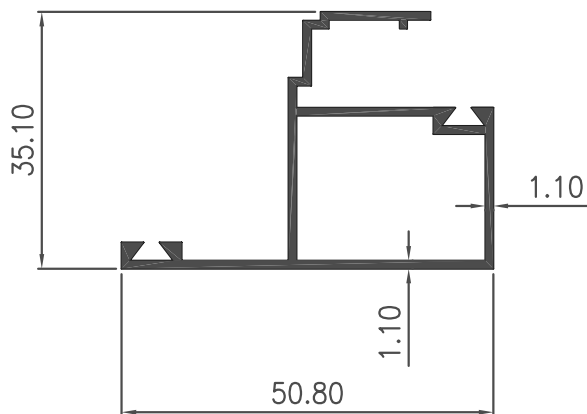
**Section No : 0806**

W = 0.393 KG/M  
P = 136.31 MM



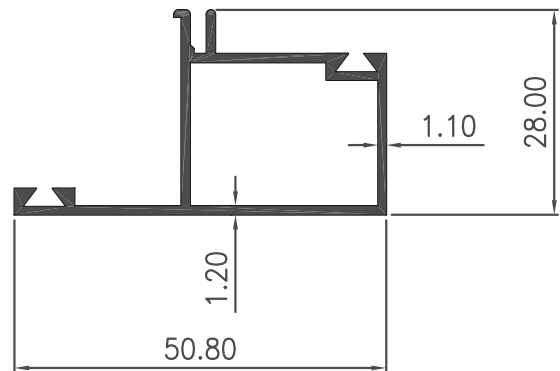
**Section No : 0807**

W = 0.515 KG/M  
P = 187.23 MM



**Section No : 0805**

W = 0.498 KG/M  
P = 235.96 MM

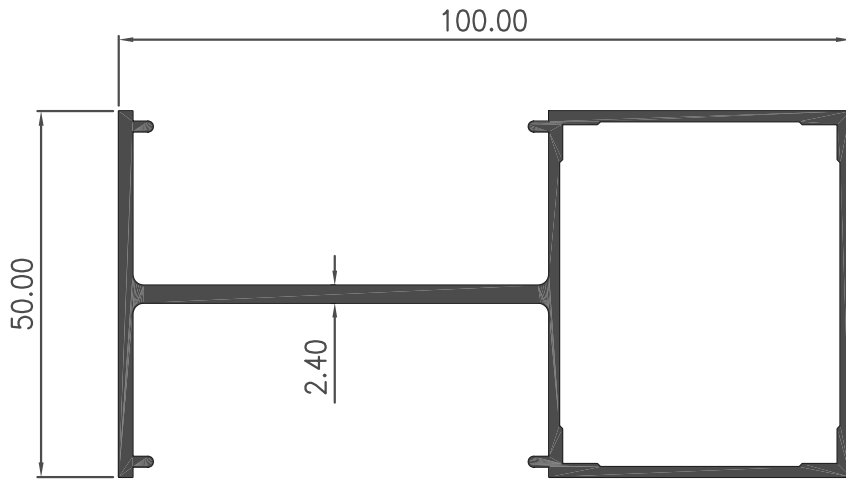


**Section No : 0808**

W = 0.465 KG/M  
P = 195.24 MM

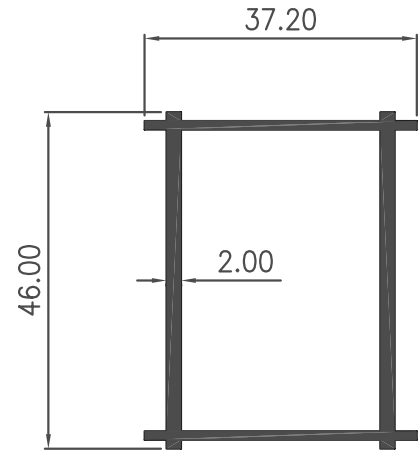
CURTAIN WALL

GROUP : 23.C



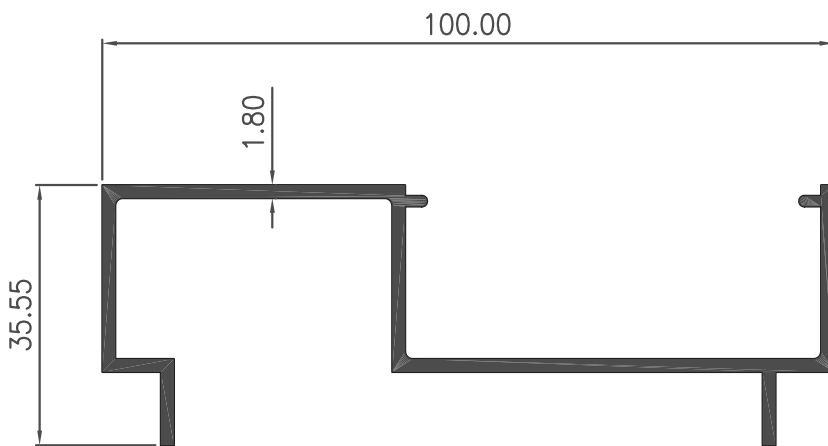
**Section No : 0826**

W = 1.389 KG/M  
P = 412.62 MM



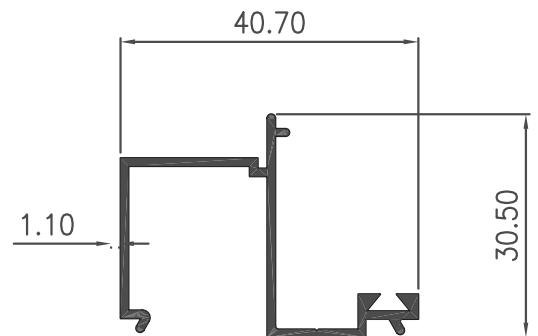
**Section No : 0827**

W = 0.715 KG/M  
P = 183.20 MM



**Section No : 0828**

W = 0.997 KG/M  
P = 411.10 MM

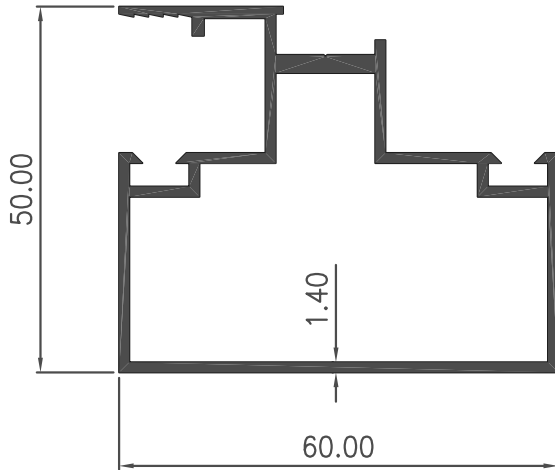


**Section No : 0809**

W = 0.333 KG/M  
P = 221.75 MM

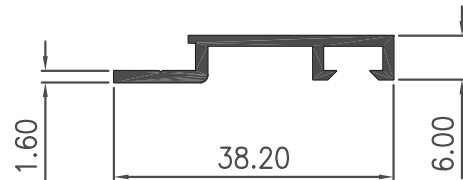
CURTAIN WALL

GROUP : 23.D



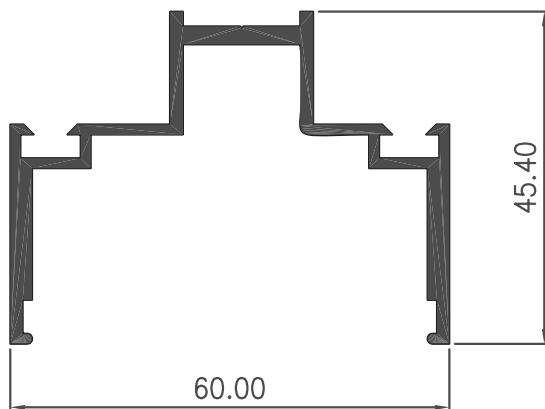
**Section No : 0830**

W = 0.977 KG/M  
P = 301.92 MM



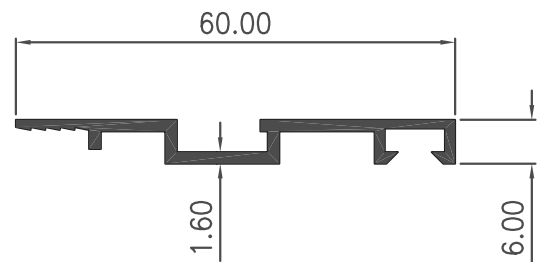
**Section No : 0831**

W = 0.217 KG/M  
P = 115.17 MM



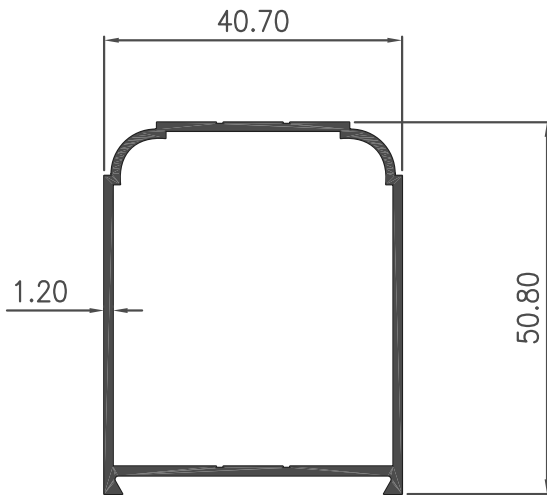
**Section No : 0832**

W = 0.868 KG/M  
P = 329.81 MM



**Section No : 0833**

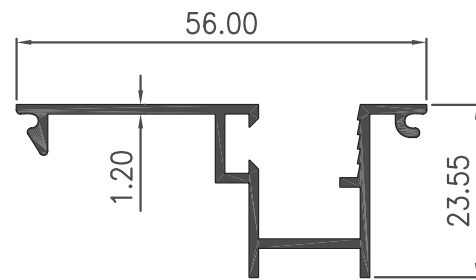
W = 0.335 KG/M  
P = 172.72 MM



**Section No : 0810**

W = 0.581 KG/M

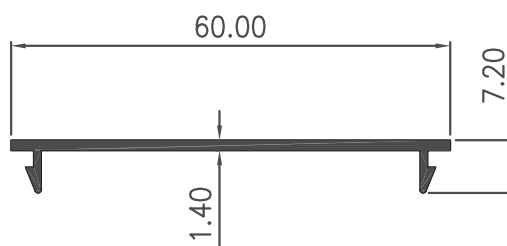
P = 185.94 MM



**Section No : 0829**

W = 0.406 KG/M

P = 245.21 MM



**Section No : 0.266**

W = 0.266 KG/M

P = 147.63 MM