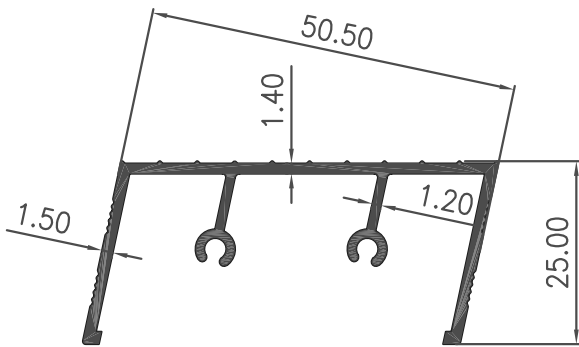


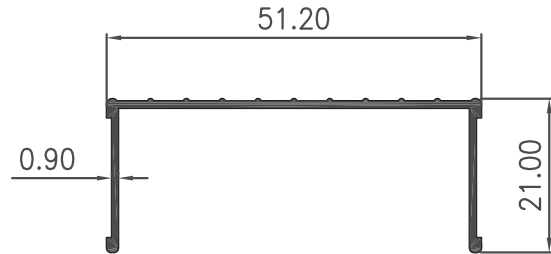
LADDER

GROUP : 17.A



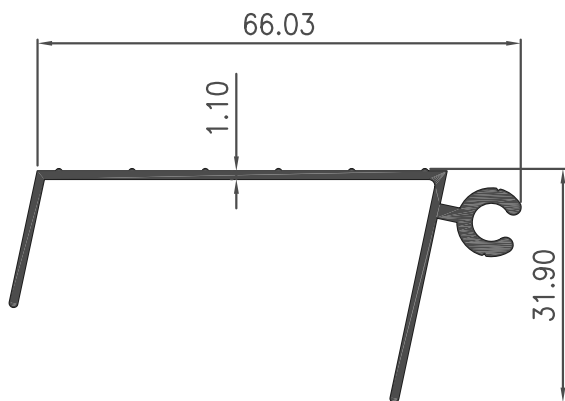
Section No : 8000

W = 0.514 KG/M
P = 281.62 MM



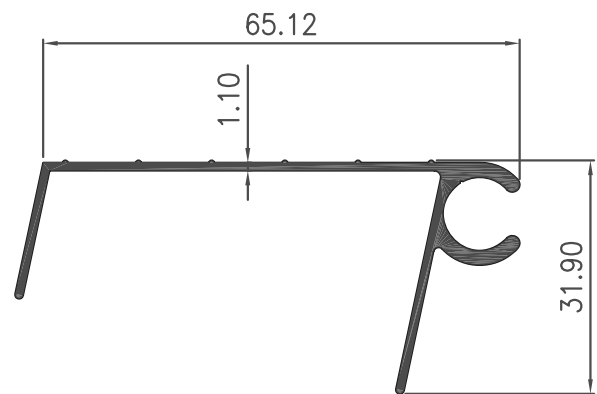
Section No : 8001

W = 0.252 KG/M
P = 187.59 MM



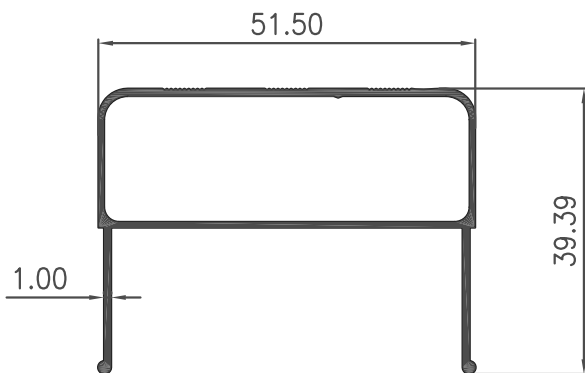
Section No : 8002

W = 0.431 KG/M
P = 255.07 MM



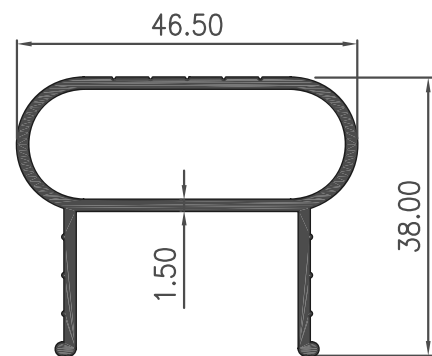
Section No : 8003

W = 0.452 KG/M
P = 253.23 MM



Section No : 8004

W = 0.439 KG/M
P = 222.09 MM

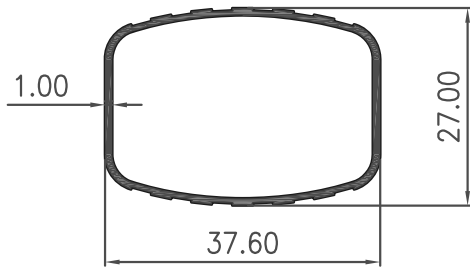


Section No : 7981

W = 0.615 KG/M
P = 199.83 MM

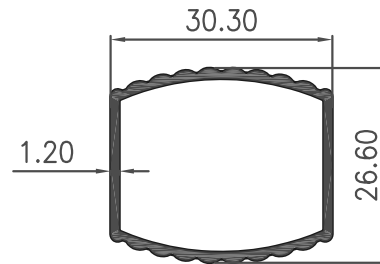
LADDER

GROUP : 17.B



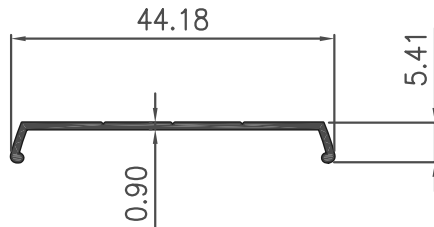
Section No : 7991

W = 0.271 KG/M
P = 120.40 MM



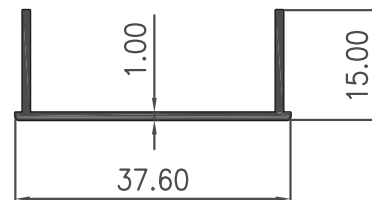
Section No : 7982

W = 0.332 KG/M
P = 106.04 MM



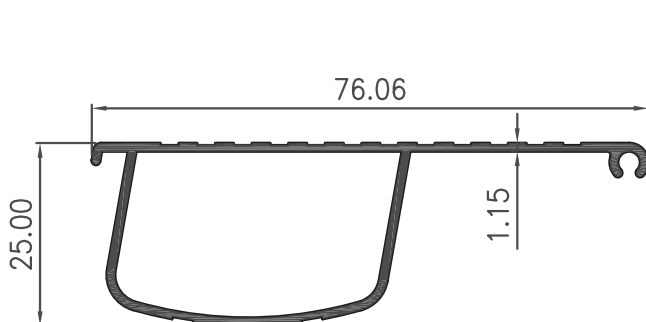
Section No : 7993

W = 0.127 KG/M
P = 105.47 MM



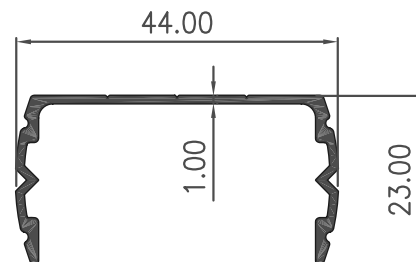
Section No : 7992

W = 0.177 KG/M
P = 132.77 MM



Section No : 7995

W = 0.467 KG/M
P = 217.66 MM



Section No : 7994

W = 0.283 KG/M
P = 182.14 MM